

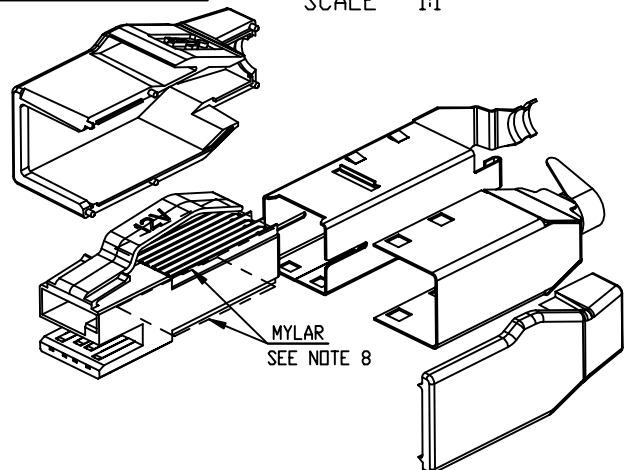
Tous droits strictement réservés. Reproduction ou communication a des tiers interdite sous quelque forme que ce soit sans autorisation écrite du propriétaire de c FCI. Droits de reproduction FCI.



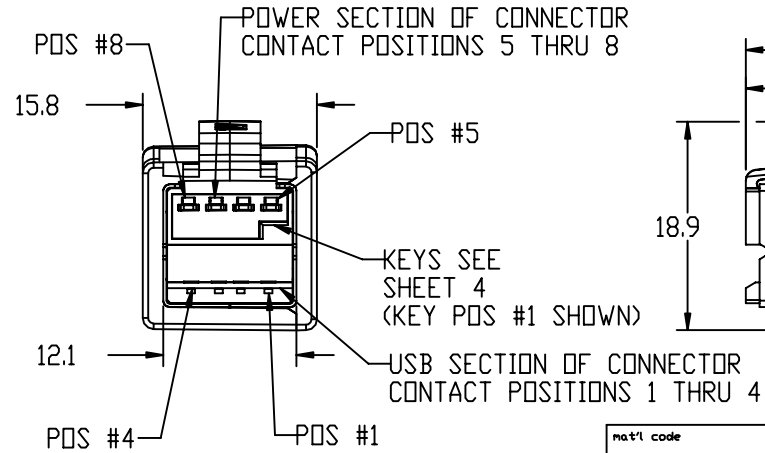
All rights strictly reserved. Reproduction or issue to third parties in any form whatever is not permitted without written authority from the proprietor. Property of FCI. Copyright FCI.

PRODUCT NUMBER
SEE TABLE

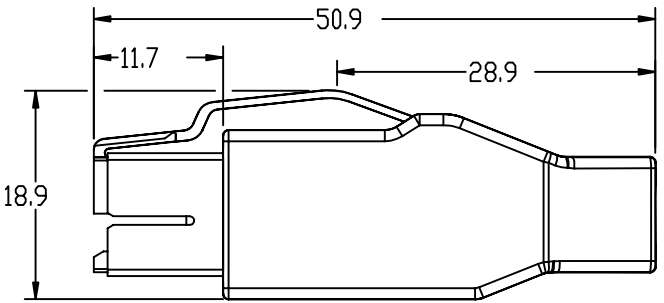
KIT PARTS
SCALE 1:1



12 VOLT KEY POSITION SHOWN SEE ADDITIONAL SHEETS FOR OTHER KEYING OPTIONS



MATERIALS	SPECIFICATIONS
SHELLS	HIGH STRENGTH COPPER ALLOY
HOUSINGS	THERMOPLASTIC UL94V-0 RATED
TERMINALS	HIGH STRENGTH COPPER ALLOY
COVERS	THERMOPLASTIC UL94V-0 RATED PEBBLE GRAY
PLATING	
SHELL	UNDERPLATE; 40 MICROINCHES NI 100 MICROINCHES MIN TIN/LEAD OR BRIGHT TIN (NOTE 4)
TERMINALS	UNDERPLATE; 40 MICROINCHES NI CONTACT AREA; 30 MICROINCHES GXT TAIL AREA; 100 MICROINCHES TIN/LEAD OR MATTED TIN (NOTE 4)
ELECTRICAL	
VOLTAGE RATING	USB;5.25VDC,+POWER;12VDC,24VDC,5VDC
DIELECTRIC WITHSTANDING VOLTAGE	750 VAC
INSUL. RESISTANCE	1000 MEG OHMS AT 500 VDC
CURRENT RATING(NOTE 1)	1.50A USB SECTION 3.00A POWER SECTION



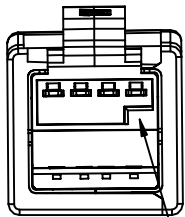
mat'l code				SEE TABLE		tolerances unless otherwise specified		CUSTOMER		FCI	
lir	ecm no.	dr	date	linear	.X ± .3	COPY		projection		www.fciconnect.com	
J	N04-0069	PH	10/18/04		.XX ± .13	MM		product family		USB	
K	N05-0255	PH	09/09/05		.XXX ± .051	scale		size		213	
L	N08-0122	Bobby SJ	06/16/08	angles	0° ± 2°	1:1		A		sheet	
F	V02279	RJR	12/19/00	dr	P. HSU 10/6/97			74233		1 of 3	
G	T03-0023	WL	01/24/03	enrg	R. MACMULLIN 10/6/97						
H	T04-0099	WL	03/05/04	chr	R. MACMULLIN 10/6/97						
sheet		revision									
index		sheet									

product family		USB		code		213	
size		A		dvw no		74233	
sheet		1 of 3					

cage code 22526

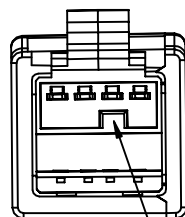
PRODUCT NUMBER
SEE TABLE

12V KEY POSITION
SCALE 3:2



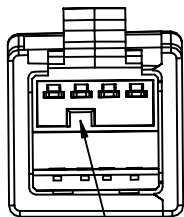
KEY POS. 1

24 KEY POSITION
SCALE 3:2



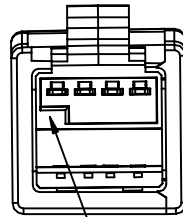
KEY POS. 2

5V KEY POSITION
SCALE 3:2



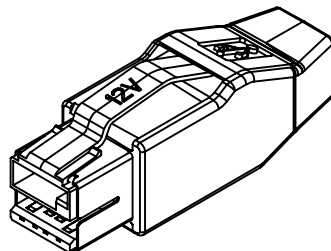
KEY POS. 3

UNASSIGNED KEY
SCALE 3:2

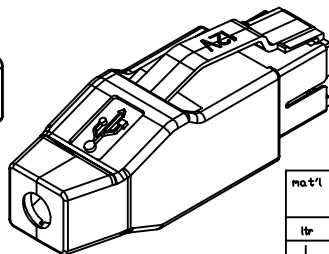


KEY POS. 4

ABOVE ASSEMBLIES ARE SHOWN ONLY FOR KEY INFORMATION, FOR ASSEMBLY INFORMATION AND DIMENSIONS SEE PREVIOUS SHEETS



SCALE 1:1



SCALE 1:1

NOTES:

- CURRENT AS LISTED IS AMPS PER CONTACT WITH ALL CONTACTS POWER.
- DIMENSIONS AND TOLERANCES ARE IN ACCORDANCE WITH ASME Y14.5M, 1994.
- MATING SEQUENCE WHEN MATED WITH USB+POWER RECEPTACLE PRODUCT NUMBER 55917-XXX.
- PRODUCT NUMBER 74233-XXX **LF**
 WITH "LF" MARK, TERMINAL AND SHELL PLATING IS TIN
 WITHOUT "LF" MARK, TERMINAL AND SHELL PLATING IS TIN/LEAD
 LEAD FREE OPTION
- PACKING STANDARD GS-14-920 WILL BE APPLIED FOR LEAD FREE P/N'S
- FOR LEAD FREE P/N, THE PRODUCT MEET EUROPEAN UNION DIRECTIVES AND OTHER COUNTRY REGULATION AS DESCRIBED IN GS-22-008
- FOR LEAD FREE P/N, THE HOUSING WILL WITHSTAND EXPOSURE TO 260°C PEAK TEMPERATURE FOR 40 SECONDS IN A CONVECTION, INFRO-RED OR VAPOR PHASE REFLOW OVEN.
- INSULATION MYLAR MUST COVER WITH ALL TERMINALS AND SOLDERED POINTS ON BOTH TWO SIDES (ONE PIECE ON EACH SIDE) AFTER SOLDERING AND BEFORE ASSEMBLE SHIELDS. THE RECOMMENDED DIMENSION OF MYLAR IS 10.00+/-0.10mm WIDTH , 27.00+/-0.10mm LENGTH, 0.10+/-0.03mm THICKNESS, AND IT MUST BE OF HIGH TEMPERATURE RESISTANCE.

nat'l code				SEE TABLE		tolerances unless otherwise specified		CUSTOMER		FCI	
lir	ecn no.	dr	date	linear	.X ± .3	COPY		projection		www.fciconnect.com	
L					.XX ± .13	MM		A		title	
				angles	.XXX ± .051	scale		2:1		product family	
				dr	0° ± 2°	A		USB		code	
				engr	P. HSU 10/6/97	A		size		213	
				chr	R. MACMULLIN 10/6/97	A		dwg no		sheet	
				appd	R. MACMULLIN 10/6/97	A		74233		2 of 3	
sheet	revision										
index	sheet										

Tous droits strictement réservés. Reproduction ou communication a des tiers interdite sous quelque forme que ce soit sans autorisation écrite du propriétaire de c FCI. Droits de reproduction FCI.



All rights strictly reserved. Reproduction or issue to third parties in any form whatever is not permitted without written authority from the proprietor. Property of FCI. Copyright FCI.

Tous droits strictement réservés. Reproduction ou communication à des tiers interdite sous quelque forme que ce soit sans autorisation écrite du propriétaire de c FCI. Droits de reproduction FCI.



All rights strictly reserved. Reproduction or issue to third parties in any form whatever is not permitted without written authority from the proprietor. Property of FCI. Copyright FCI.

PRODUCT NUMBER(NOTE 4)	DESCRIPTION	VOLTAGE	COLOR	CABLE OD	CURRENT RATING	REMARK
74233-100	KEY POSITION 1	12V	TEAL	5.80±0.25	3 AMPS	NON LEAD FREE PART , NOT AVAILABLE
74233-100LF	KEY POSITION 1	12V	TEAL	5.80±0.25	3 AMPS	LEAD FREE PART, SUBSTITUTE OF 74233-100
74233-101	KEY POSITION 1	12V	TEAL	5.10±0.25	3 AMPS	NON LEAD FREE PART , NOT AVAILABLE
74233-101LF	KEY POSITION 1	12V	TEAL	5.10±0.25	3 AMPS	LEAD FREE PART, SUBSTITUTE OF 74233-101
74233-102	KEY POSITION 1	12V	TEAL	6.60±0.25	3 AMPS	NON LEAD FREE PART , NOT AVAILABLE
74233-102LF	KEY POSITION 1	12V	TEAL	6.60±0.25	3 AMPS	LEAD FREE PART, SUBSTITUTE OF 74233-102
74233-200	KEY POSITION 2	24V	RED	5.80±0.25	3 AMPS	NON LEAD FREE PART , NOT AVAILABLE
74233-200LF	KEY POSITION 2	24V	RED	5.80±0.25	3 AMPS	LEAD FREE PART, SUBSTITUTE OF 74233-200
74233-201	KEY POSITION 2	24V	RED	5.10±0.25	3 AMPS	NON LEAD FREE PART , NOT AVAILABLE
74233-201LF	KEY POSITION 2	24V	RED	5.10±0.25	3 AMPS	LEAD FREE PART, SUBSTITUTE OF 74233-201
74233-211	KEY POSITION 2	48V	RED	5.10±0.25	3 AMPS	NON LEAD FREE PART , NOT AVAILABLE
74233-211LF	KEY POSITION 2	48V	RED	5.10±0.25	3 AMPS	LEAD FREE PART, SUBSTITUTE OF 74233-211
74233-202	KEY POSITION 2	24V	RED	6.60±0.25	3 AMPS	NON LEAD FREE PART , NOT AVAILABLE
74233-202LF	KEY POSITION 2	24V	RED	6.60±0.25	3 AMPS	LEAD FREE PART, SUBSTITUTE OF 74233-202
74233-300	KEY POSITION 3	5V	*NATURAL	5.80±0.25	3 AMPS	NON LEAD FREE PART , NOT AVAILABLE
74233-300LF	KEY POSITION 3	5V	*NATURAL	5.80±0.25	3 AMPS	LEAD FREE PART, SUBSTITUTE OF 74233-300
74233-301	KEY POSITION 3	5V	*NATURAL	5.10±0.25	3 AMPS	NON LEAD FREE PART , NOT AVAILABLE
74233-301LF	KEY POSITION 3	5V	*NATURAL	5.10±0.25	3 AMPS	LEAD FREE PART, SUBSTITUTE OF 74233-301
74233-302	KEY POSITION 3	5V	*NATURAL	6.60±0.25	3 AMPS	NON LEAD FREE PART , NOT AVAILABLE
74233-302LF	KEY POSITION 3	5V	*NATURAL	6.60±0.25	3 AMPS	LEAD FREE PART, SUBSTITUTE OF 74233-302

CONTACT NUMBER	PRODUCT DASH NUMBER			
	-1XX	-2XX	-3XX	MATING SEQ.
1	VCC	VCC	VCC	2
2	- DATA	- DATA	- DATA	3
3	+ DATA	+ DATA	+ DATA	3
4	GROUND	GROUND	GROUND	2
5	12V GROUND	24V GROUND	5V GROUND	2
6	12V	24V	5V	3
7	12V	24V	5V	3
8	12V GROUND	24V GROUND	5V GROUND	2
SHELL	SHIELD	SHIELD	SHIELD	1

* NATURAL COLOR IS CREAM OFF WHITE

nat'l code				SEE TABLE		tolerances unless otherwise specified		CUSTOMER		FCI	
titr		ecn no.		dr		date		COPY		www.fciconnect.com	
L								projection		title	
										USB+POWER PLUG KIT ASSEMBLY	
								MM		product family	
								N/A		USB	
								scale		code	
								A		213	
								size		sheet	
								74233		3 of 3	
sheet index		revision sheet									

cage code 22526

Pro/E

PDM: Rev:L

STATUS Released

Printed: Oct 21, 2008